



If You encountered - at least once - problems while creating Circular Pattern for ribs this chapter is for You. Find out how to work around problem with copying Ribs which results in Resolve Mode.

This problem appears often in situation similar to the model at left. There is rib which "forhead" is placed on refer to the "shaft/revolved" surface. Such conditions cause Pro/E to lost references while copying ribs



The model visible above will serve as an example to introduce Circular Pattern problem. The rib is going to be created in inside cut.

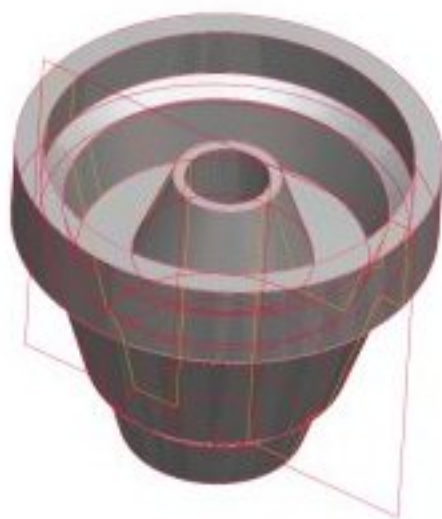
```
...
To do so
Click Done
...
PARTS: rib1, PART: rib_circ_pattern, failed regeneration.
The system could not construct the intersection of the part and datum.
Please abort. Failed to construct part.
...
```



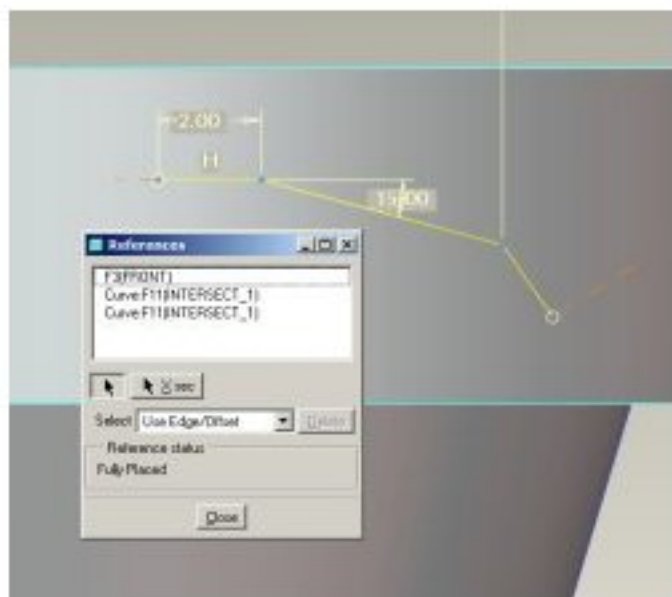
An attempt to make a Pattern fails. Automatically Pro/E switches to Resolve Mode. In this particular situation take advantage of Quick Fix > Undo.



To solve this problem there is a need to prepare more reliable references for Pro/E while creating profile for Rib! Such a role can play a curve which should be created as Intersection curve!

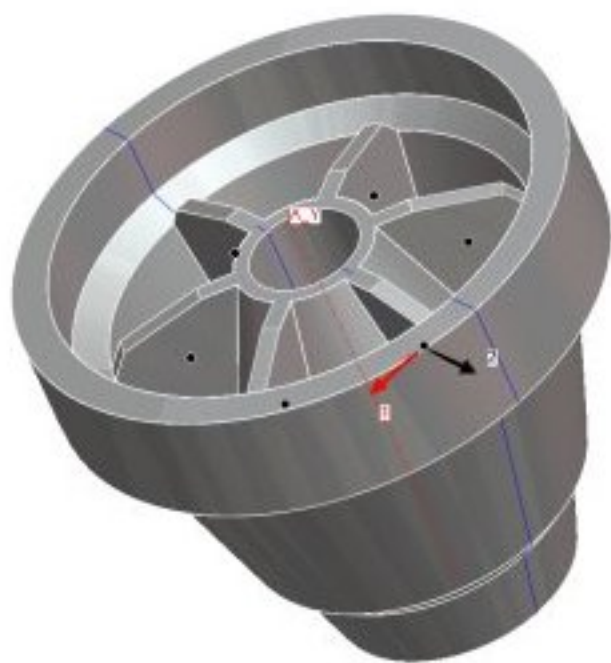


Make Intersection curve between Datum Plane and all Solid Surfaces.



When the Intersection Curve is ready, there is right time to create a rib based on it. In the sketcher choose Intersection Curve entities instead of model surfaces or edges.

To facilitate proper collecting of References change the selection filter to Curve(filter is placed at right-bottom corner of screen)



For such prepared Rib making Circular Pattern will be void of any problems. Good luck!

