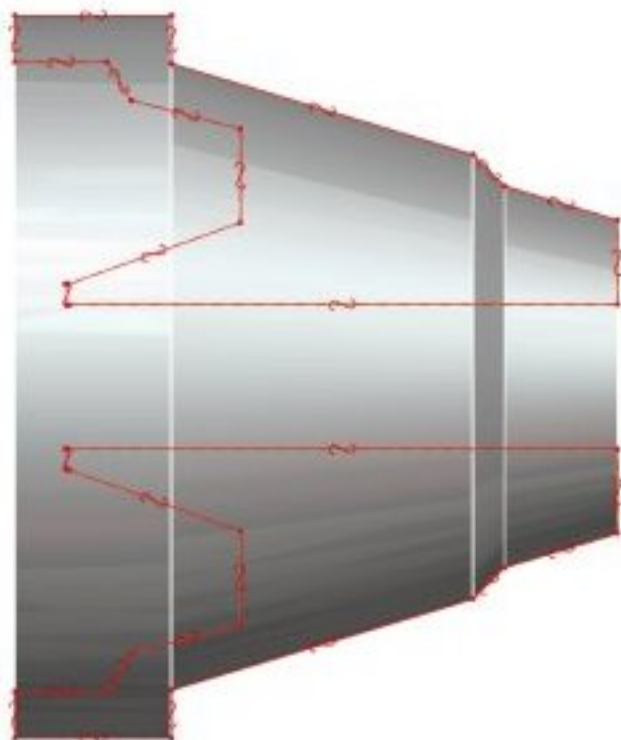


Find out how to create X-Section in models without hatched ribs.



As a base same model as for Circular Pattern of Ribs is going to be used. The major feature in both issues is curve created by intersection of Solid Surfaces with Datum Plane before ribs!



To have a X-section with particular area not intended to be hatched, make a Cosmetic by Insert > Cosmetic > Sketch > Xhatch!

In the sketcher choose an option Use Edge > Loop and indicate the intersection curve entity. If the sketcher creates closed loop Pro/Engineer is going to hatch it!